

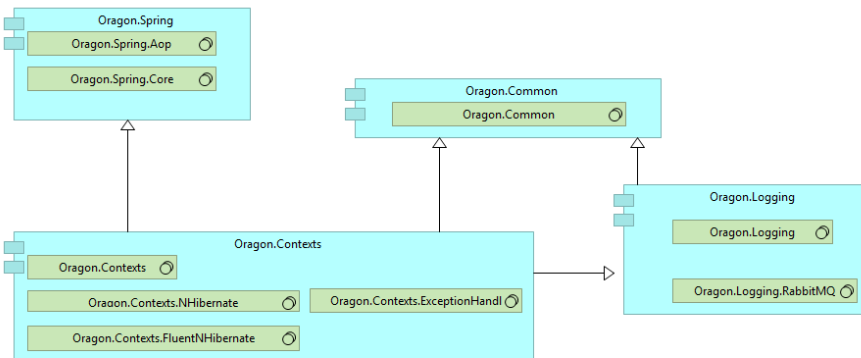
2 - Projects and Hierarchy

Projects

All public projects are hosted on GitHub. Private projects will be moved to GitHub during migration.

Hierarchy

The picture below explains the projects dependencies.



Source Code

All public code is published on GitHub under <https://github.com/Oragon>.

Code Quality

SonarQube instance (<http://sonar.oration.io>) is a quality tool used to make the project quality process transparent.

Continous Integration and Continous Deployment

The Jenkins instance (jenkins.oration.io) are configured to build all Oragon GitHub Org with Jenkins Pipelines. All pipelines are public.

All projects have your own pipeline but some projects are under SonarQube.

Nuget Packages and Nuget Feeds

Table of Contents

- Projects
- Hierarchy
- Source Code
- Code Quality
- Continous Integration and Continous Deployment
- Nuget Packages and Nuget Feeds

nuget.config

```
<?xml version="1.0" encoding="utf-8"?>
<configuration>
  <packageSources>
    <add key="oragon-on-myget" value="
https://www.myget.org/F/oragon/api/v3/index.
json" />
  </packageSources>
</configuration>
```